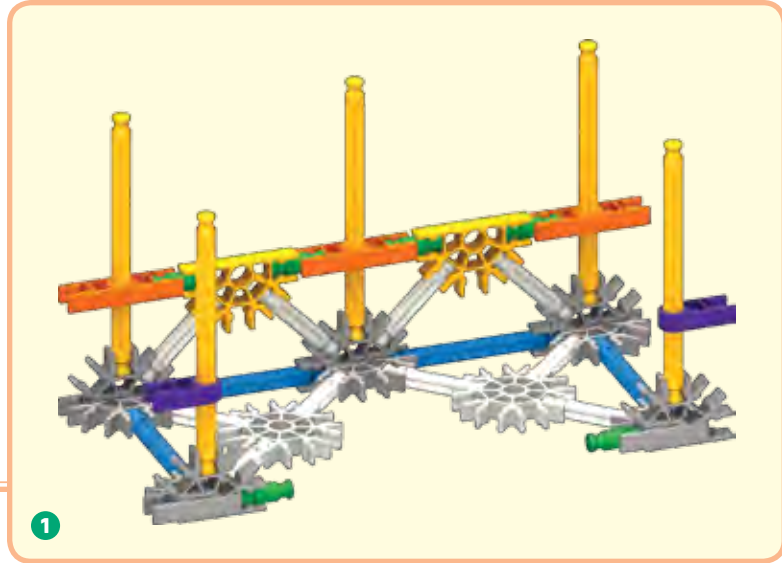
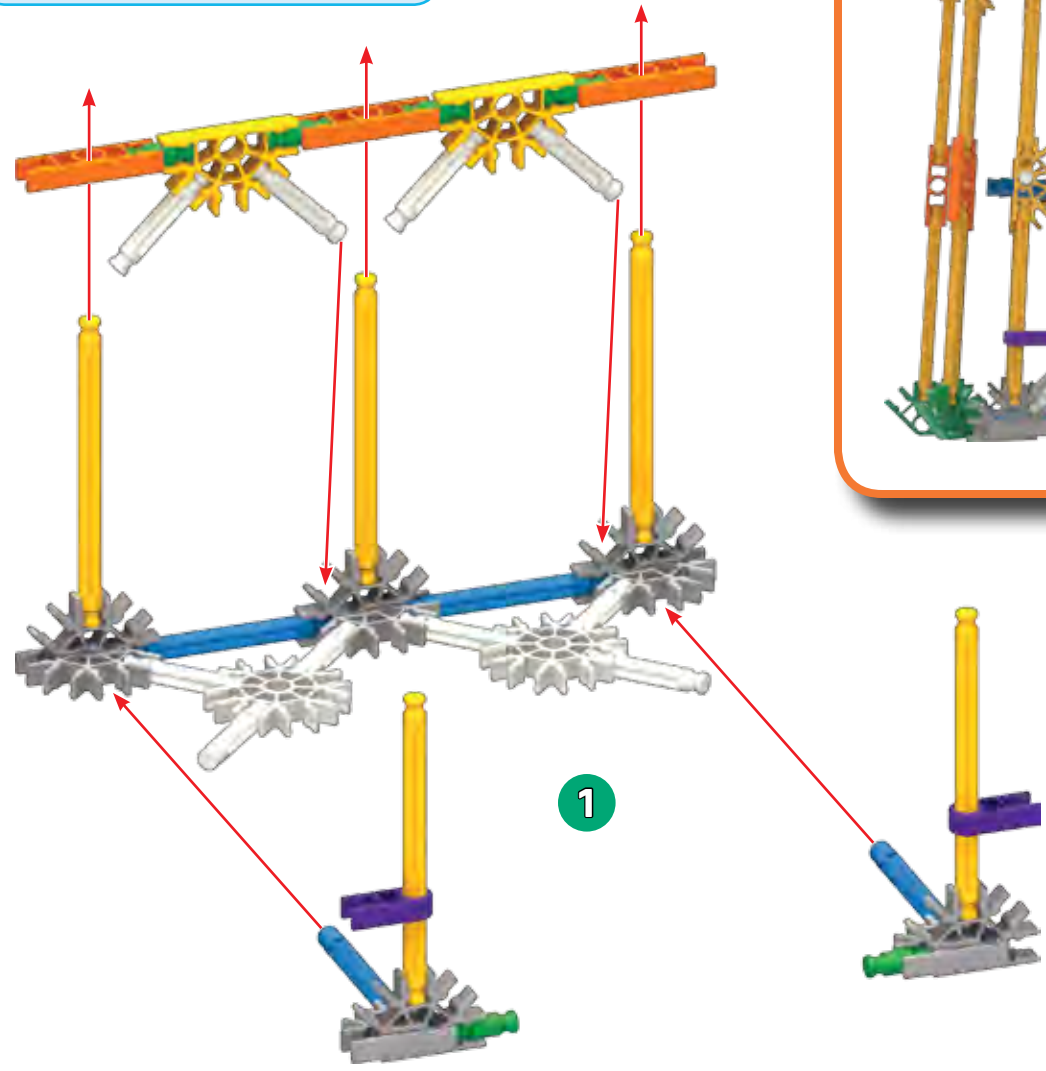
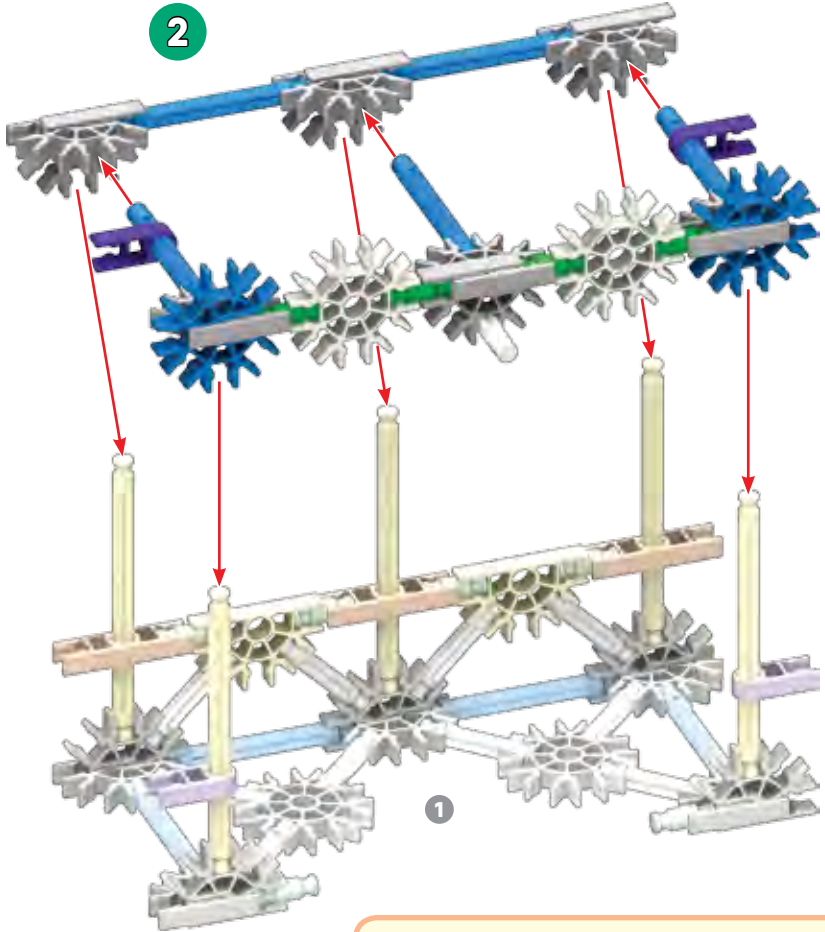


# CASTLE

- 6 10 2
- 4 5
- 2 10
- 3 2



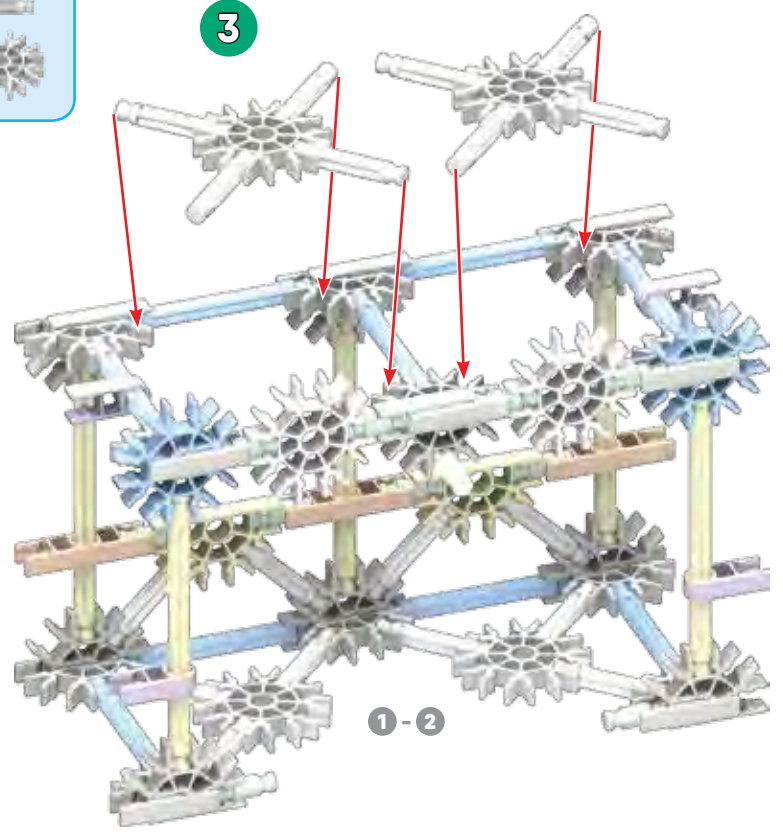
2



1

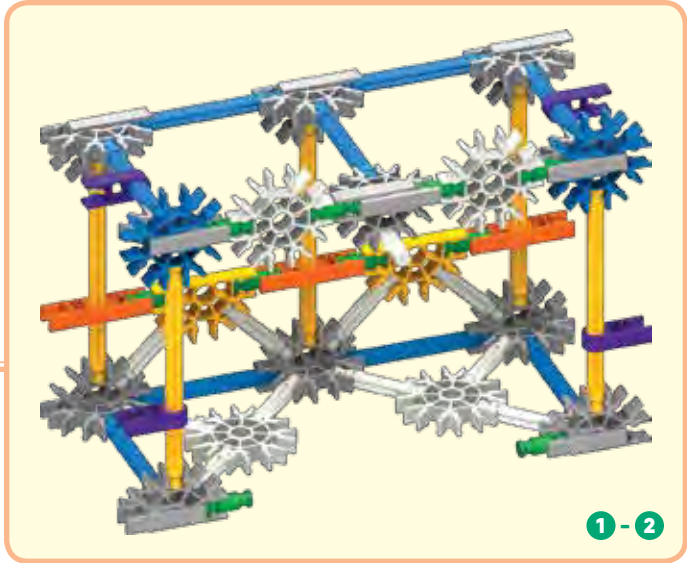
- 8
- 2

3

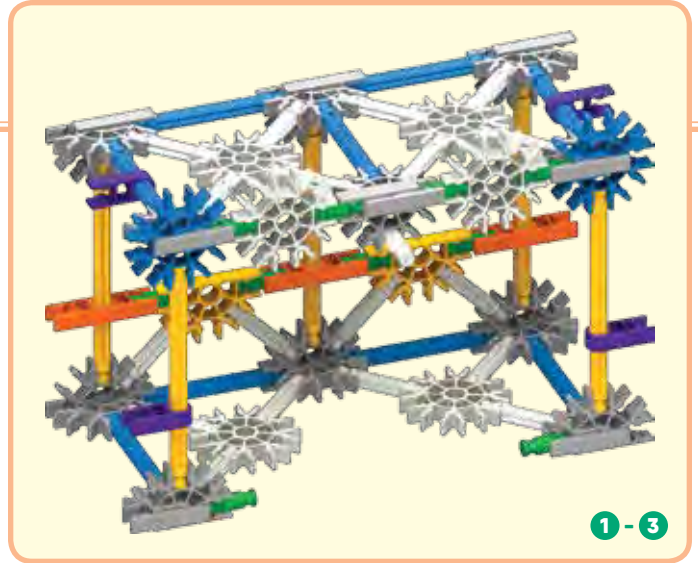


1-2

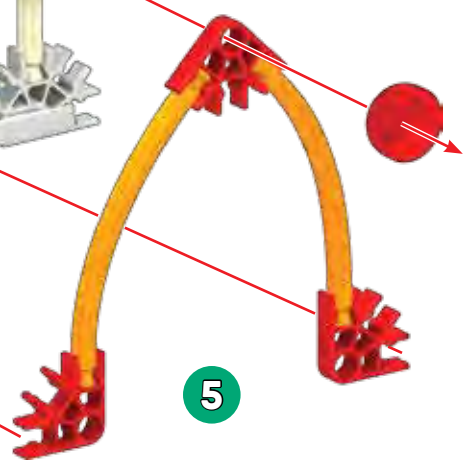
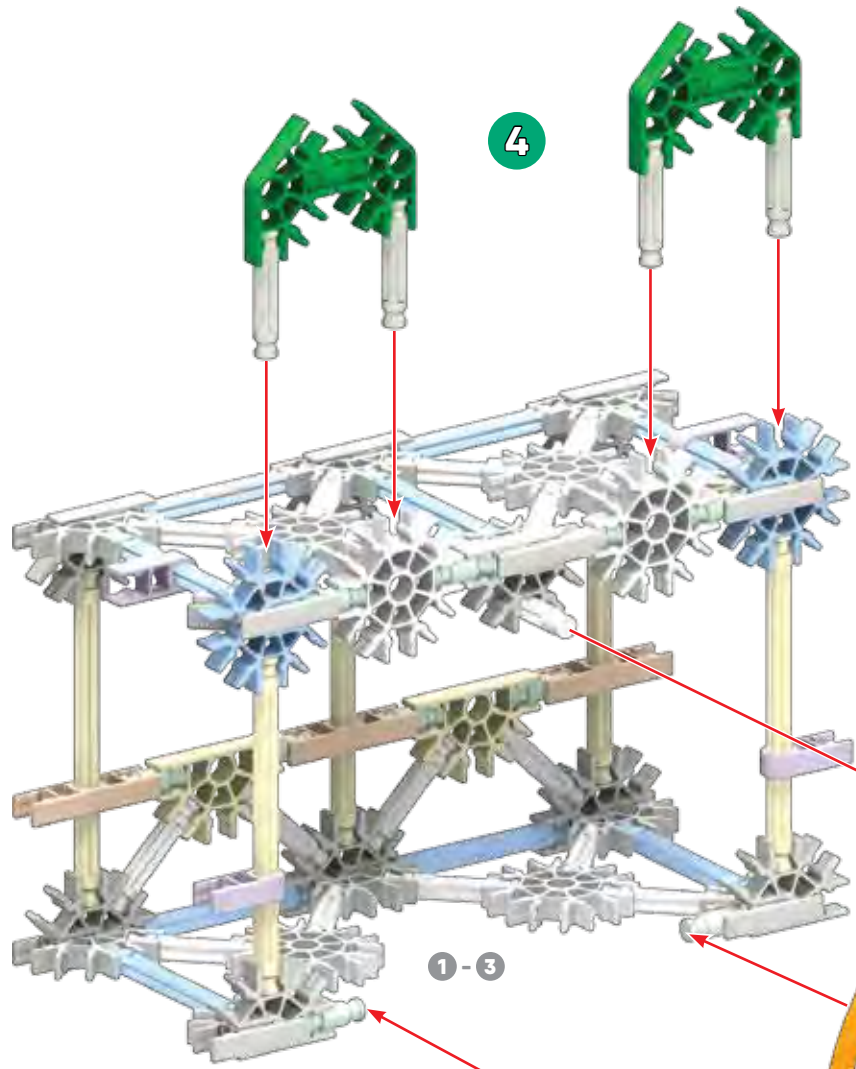
- 4
- 5
- 10
- 2
- 1
- 2
- 2



1-2



1-3



- |   |  |   |  |   |  |
|---|--|---|--|---|--|
| 2 |  | 4 |  | 1 |  |
| 2 |  | 4 |  |   |  |
| 3 |  | 4 |  |   |  |

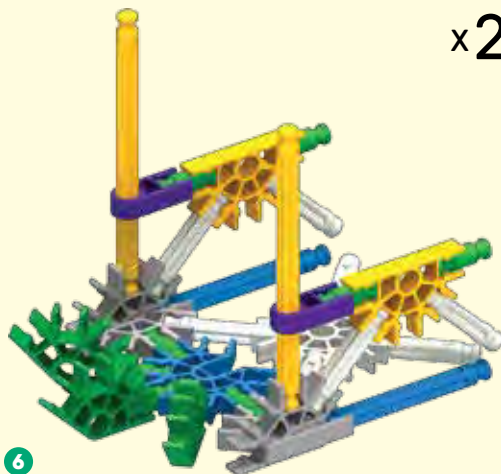
x2



6

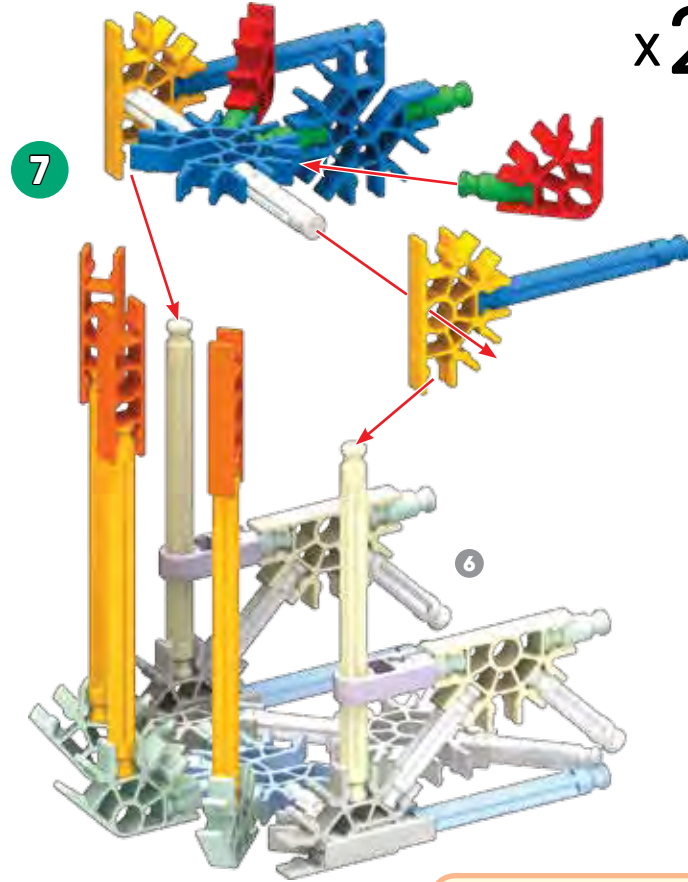
- |    |   |   |    |
|----|---|---|----|
| 18 | 4 | 4 | 16 |
| 4  |   |   | 6  |
| 4  |   |   | 4  |
| 8  |   |   | 4  |
| 2  |   |   | 2  |

x2



6

x2



7

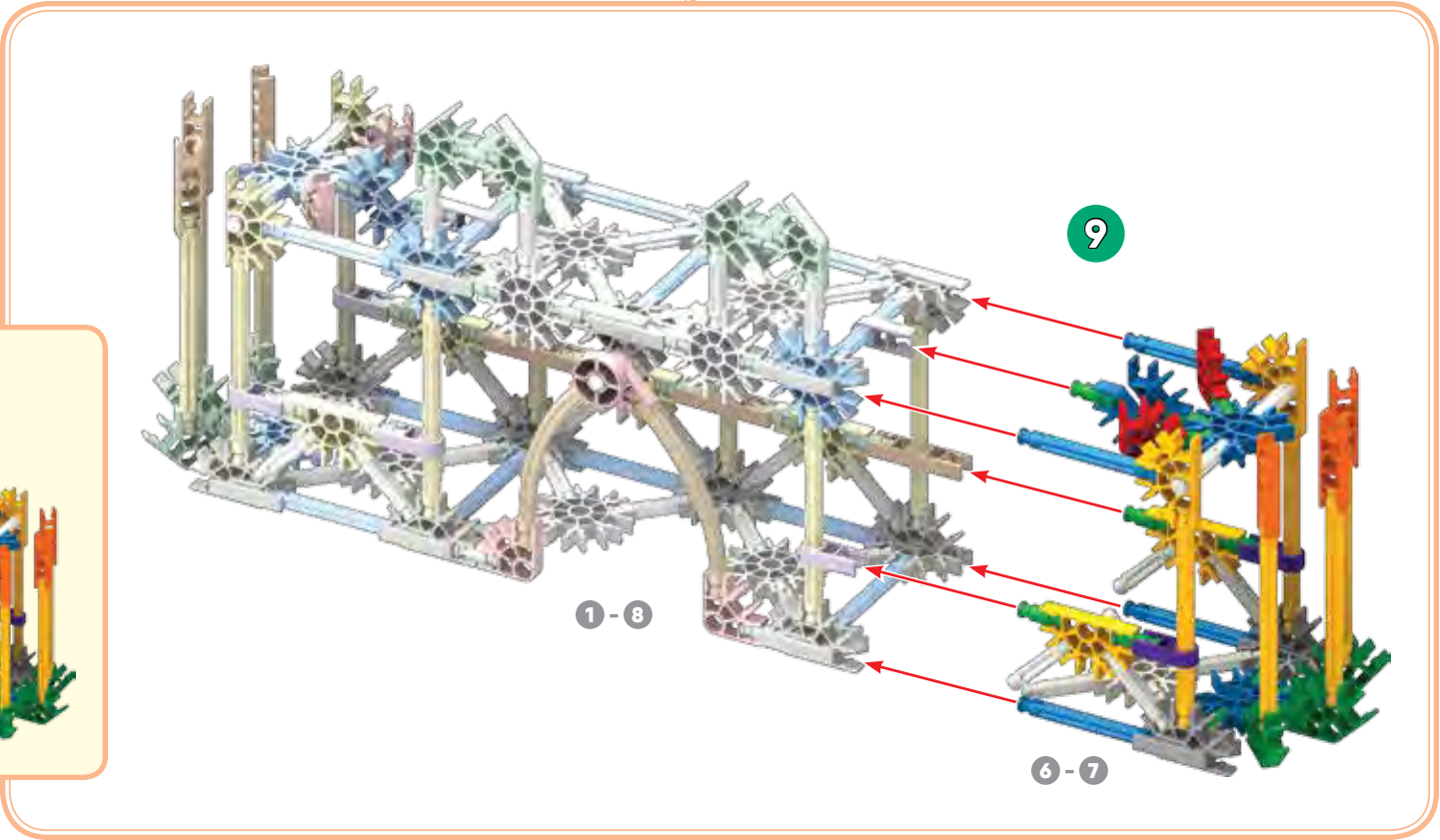
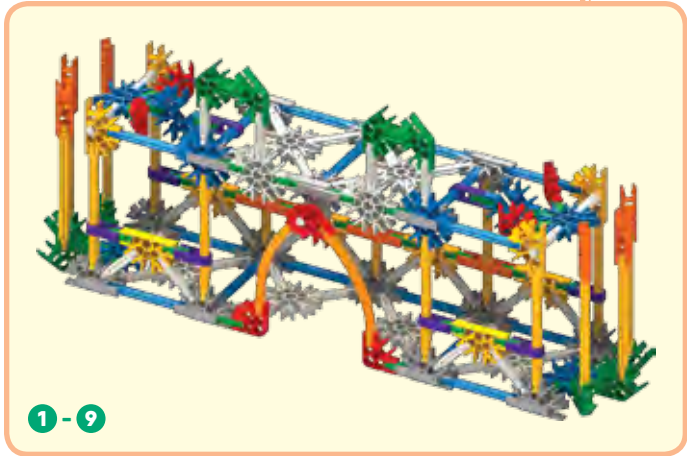
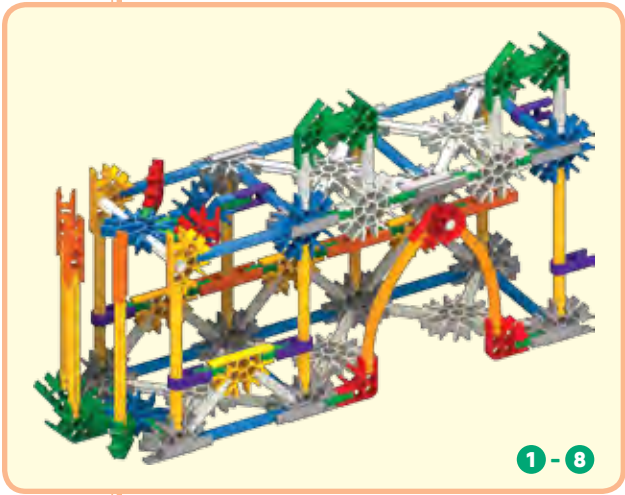
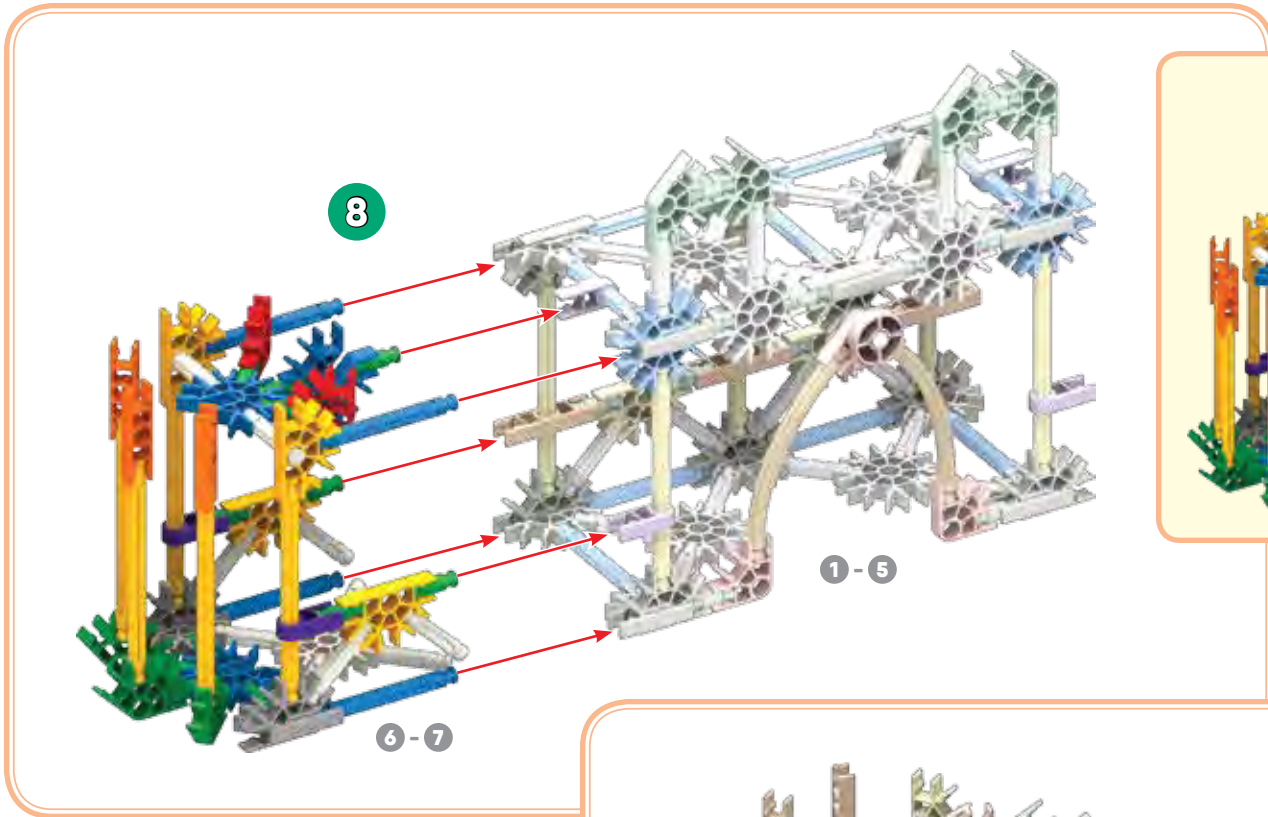
6

- |   |   |   |
|---|---|---|
| 8 | 6 | 4 |
| 4 |   | 4 |
| 6 |   | 4 |
| 4 |   | 4 |

x2



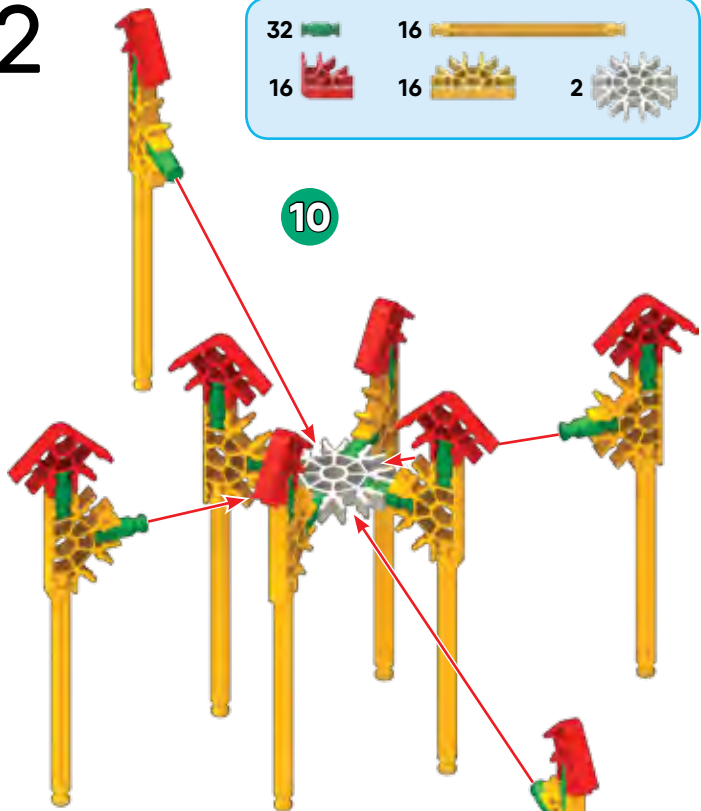
6-7



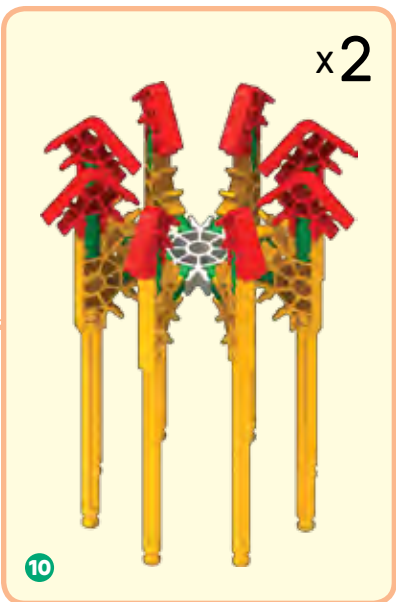
x2

32		16	
16		16	
		2	

10



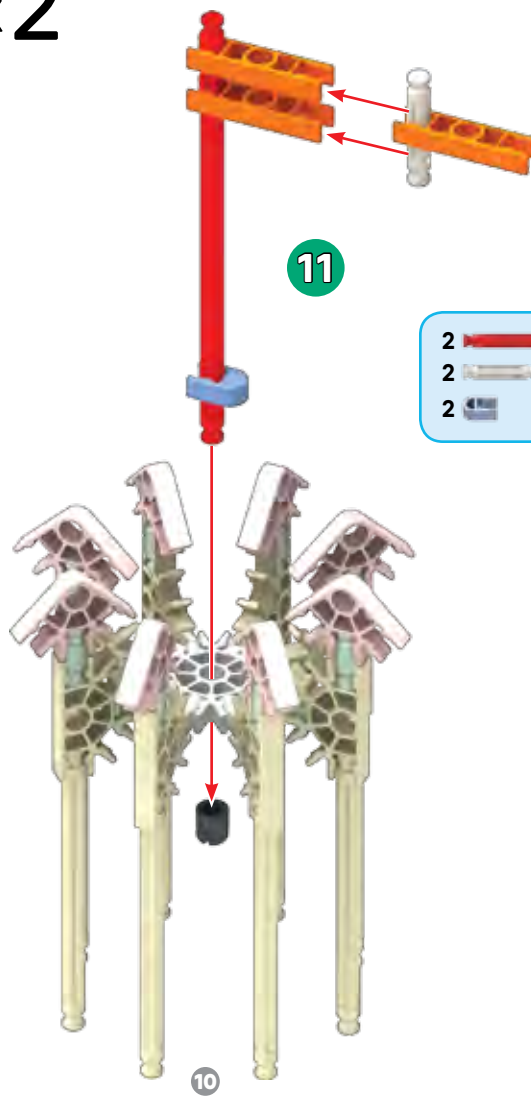
x2



x2

2		2		2		2		6	
---	--	---	--	---	--	---	--	---	--

11



x2

